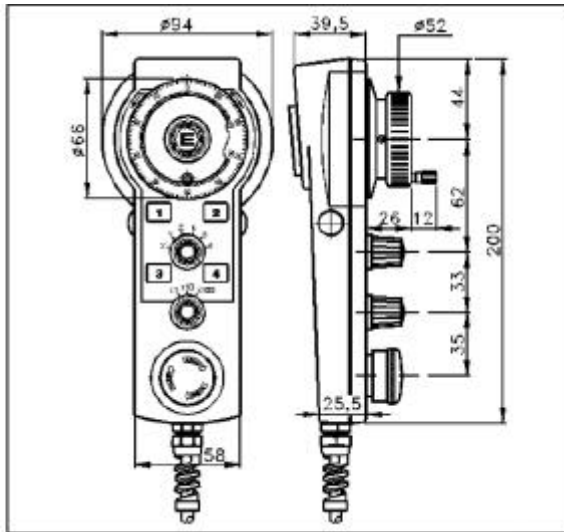


Sized draw standard version: VD4
Measures without tolerance according to UNI ISO 2768-mk



VP53 is a portable handwheel to connect through a cable to the CNC.
The knob steps (100 PPR) have a detent at each division or upon request it is available clutched.
A mushroom-head push button allows to immediately stop the machine tool.
Two electronic switches allow to select the CNC resolution and the axis.
Four push buttons, set on frontal panel, allow to remote four functions of CNC.
Upon request VP53 is available with a magnetic coupler for a steady fixing to the machine tool and one or two dead-man-control push buttons.
VP53 is easy to handle and it can be interfaced with most of the CNC thanks to several operating voltages and output electronics. Reasonable price.
Good resistance to external agents.

TECHNICAL FEATURES AND POSSIBLE CONFIGURATIONS

- Housing.....: ABS
- Knob/scale plate...: ANODIZED ALUMINIUM
- Weight.....: 540 g
- Display.....: 100 DIV.ON KNOB'S FLANGE
- Resolution.....: 100 DIV./REV.
- IP output side.(°):: see 'CONNECTIONS' of page 2
- IP shaft side..(°):: 64
- Impact resistance...: 50 G x 11ms
- Vibration strenght..: 12 G (10 ÷ 2000 Hz)
- Starting torque Nm.: 0,12

- Rotat. life @ 200 RPM: >= 1000000 h
- Operating temperature: 0 ÷ 70 °C (*)
- Storage temperature...: -25 ÷ 65 °C
- Pulses per revolution: 100
- Max consumption mA...: std 120 line driver 180
- Light source.....: LED with >= 100000 h life
- Connection.....: 3 m long cable with cable end connector (see ORDERING INFO.).

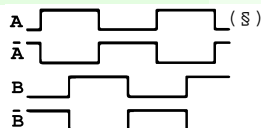
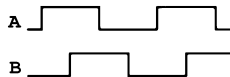
(°) IP according to CEI EN 60529, EN 60529, IEC 529

(*) custom options

ELECTRONICS

CODE	DESCRIPTION	mA	CODE	DESCRIPTION	mA	CODE	DESCRIPTION	mA	CODE	DESCRIPTION	mA
	STANDARD NPN	10	N	DRIVER 26LS31	30						
K	NPN OPEN COLL	10									
Q	NPN	70	C	DRIVER 88C30	20						
R	NPN OPEN COLL	70									
P	PNP	70									
U	PNP OPEN COLL	70									
B	PUSH-PULL PRO	70									
H	PUSH-PULL	70									

(§) Clock-wise output rotation (see shaft).



Tolerance between phases ± 25°, symmetry ± 15°

(§) Clock-wise output rotation (see shaft).



ELCIS s.r.l. Via Rosa Luxembourg 12/14 10093 COLLEGNO (TO) ITALY
Phone: +39 011 715577/78 a.r.
MAIL: ELCIS s.r.l. P.O.Box 90 10093 COLLEGNO (TO) ITALY

* <http://www.elcis.com>
* e-mail: info@elcis.com
* Fax: +39 011 712613

